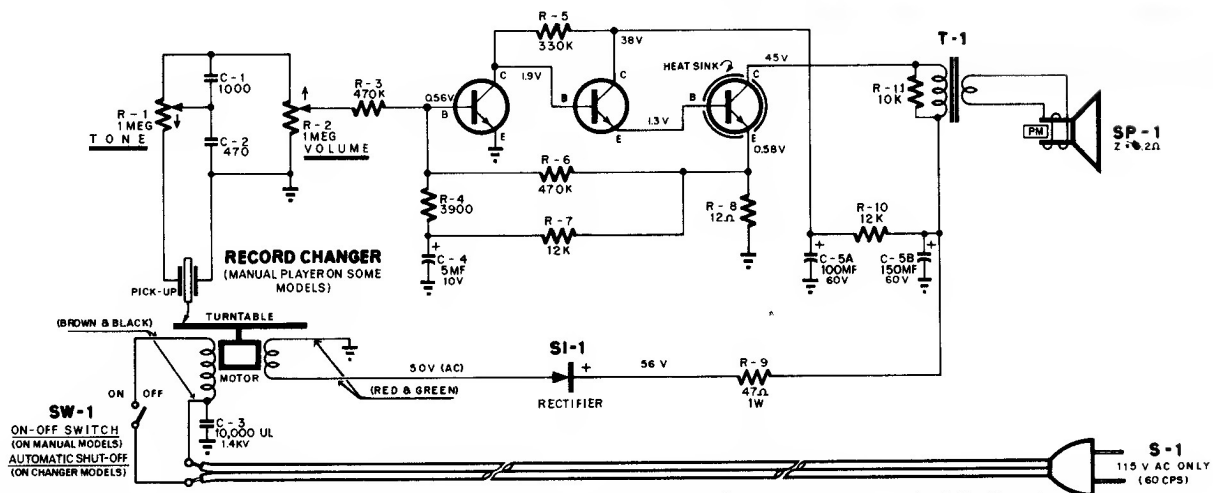


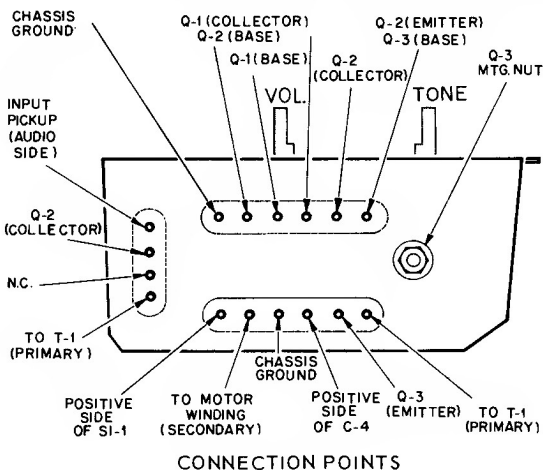
# Emerson Radio

**MODELS:**  
32P01, 32P02  
**CHASSIS:** 120745

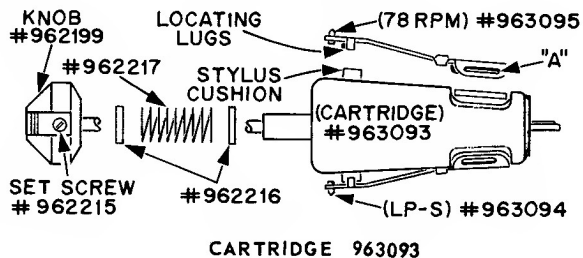
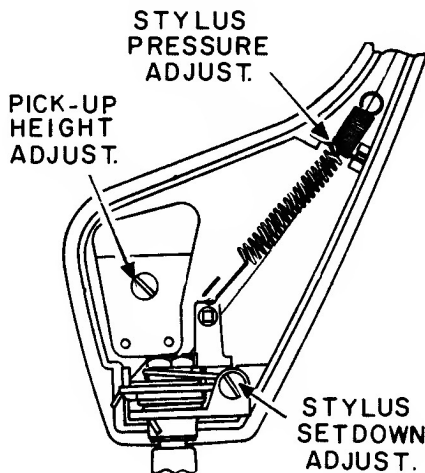
Q-1                      Q-2                      Q-3



NOTE: All voltages measured with VTVM with common lead attached to B- (common terminal of C-5) and volume control set at minimum (fully counter-clockwise).



## ADJUSTMENT SETTINGS, RECORD CHANGER 819218



To replace either of the styli in cartridge number 963093, remove defective stylus by releasing clipped-on end at point (A). When installing new stylus, be sure the two locating lugs directly behind the sapphire tip are seated on either side of the stylus cushion.

Cartridge number 963093 (Ronette DC-500) is supplied complete with mounting bracket and all associated parts. To replace, remove cartridge mounting screw from top of tone arm, install new cartridge and replace mounting screw.

### STYLUS SET-DOWN

Raise pick-up arm and adjust screw indicated for proper set-down on lead-in groove of 10" records on the turntable. When correctly positioned for a 10" record, set-down point for 7" and 12" records should also be correct.

### PICK-UP HEIGHT

Raise pick-up arm to a vertical position and adjust screw indicated until pick-up clears a stack of 10 records on the turntable by at least 1/8". A check should then be made to see that pick-up arm does not contact underside of remaining records stacked on the spindle shelf, and also to see that pick-up arm clears top of rest post during change cycle.

### STYLUS PRESSURE

Adjust stylus pressure by repositioning balance spring in the various holes provided inside pick-up arm until correct pressure of 6 to 8 grams is obtained.